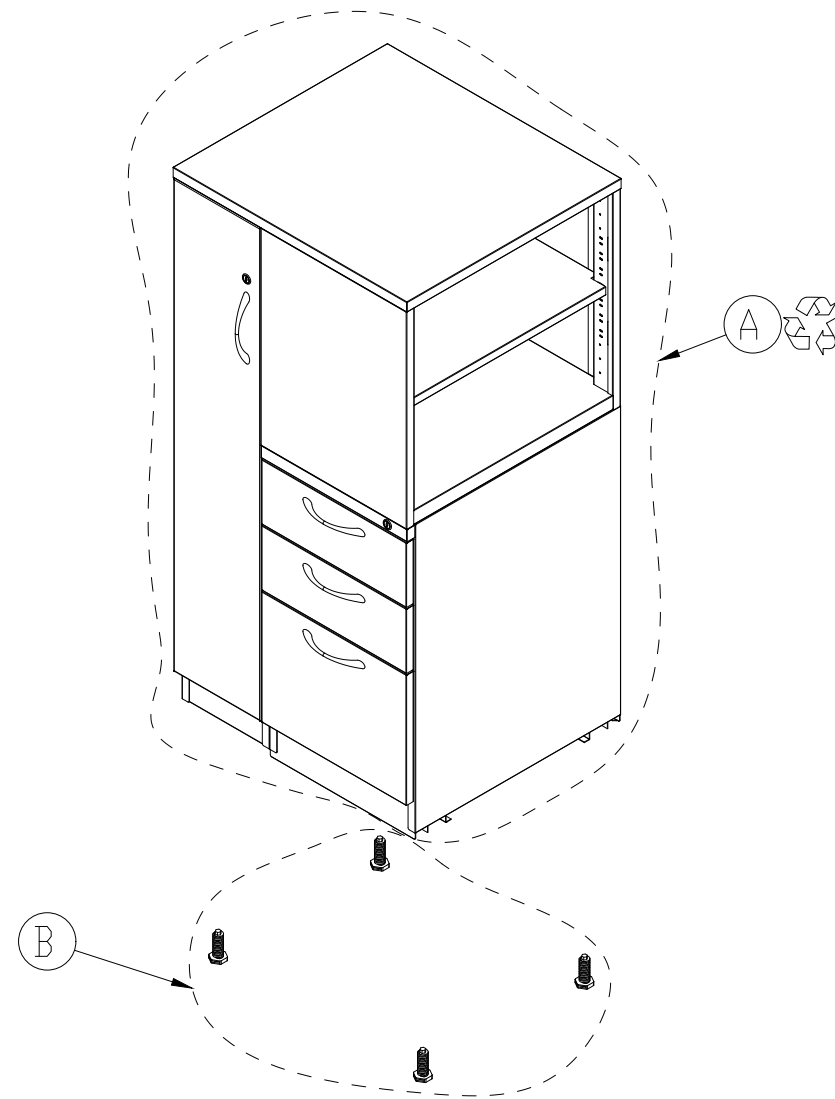
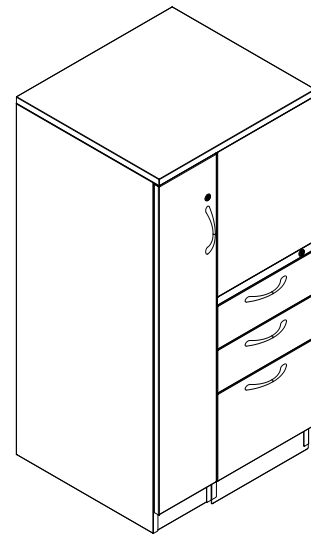


Disassembly Instructions

Vini® Storage Tower Unit



Material Type: A. Steel B. Plastic




Procedure:

1. Remove the glides
2. Due to the product being all steel it can then be recycled

General Notes:

1. Disassembly time: 10 - 15 minutes
2. This procedure assumes basic familiarity with hand tools and furniture terminology; no specialized training is required
3. All materials removed and disassembled shall be sorted and segregated with like materials and disposed of or recycled according to recycling availability or waste acceptance

4. For product recycle content, contact CALPIA or visit our website at www.calpia.ca.gov

 All fasteners not explicitly tagged or shown are Material Type A: Steel

Required Tools

