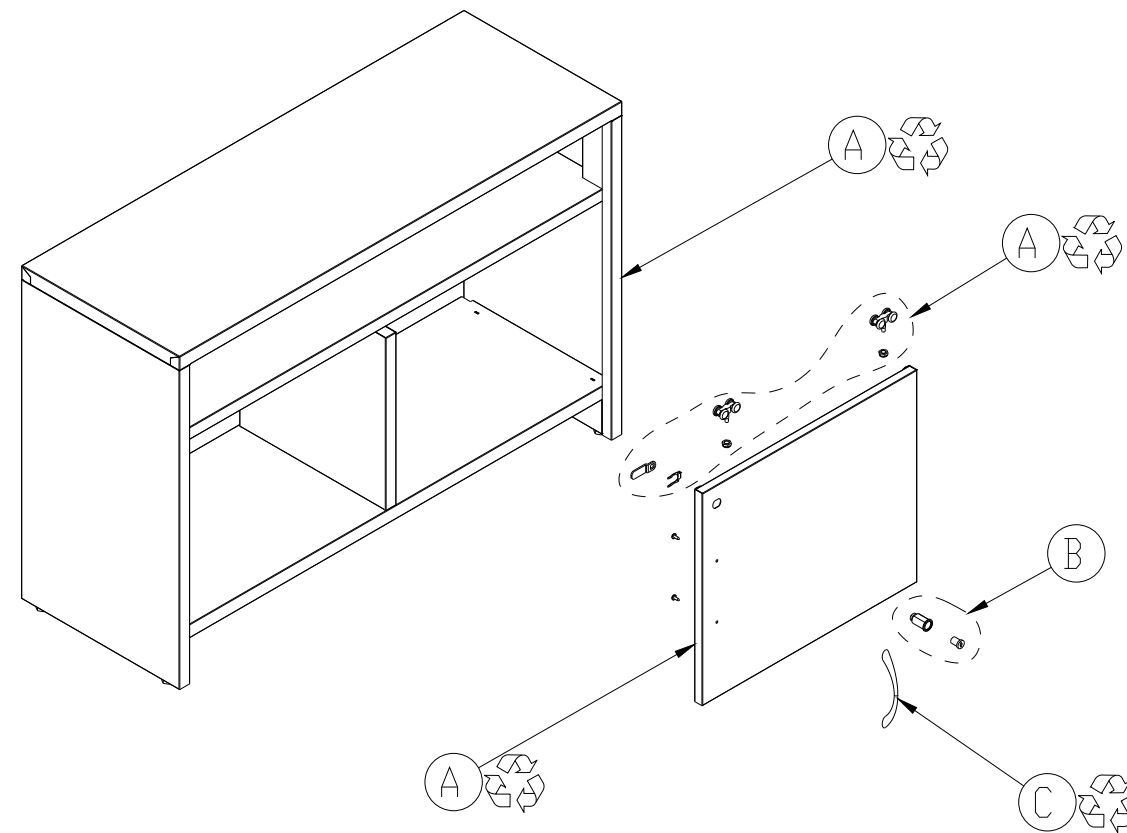
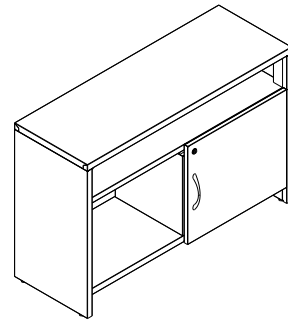


Disassembly Instructions

Vini® Credenza



Material Type: A. Steel B. Zinc C. Aluminum



Procedure:

1. Remove the screws holding the vertical divider panel in place and remove the panel.
2. Remove the nuts holding the wheeled door trolleys to the top of the sliding door.
3. Remove the screw attaching the lock cam to the lock mechanism.
4. Remove the lock clip holding the lock mechanism onto the back of the sliding door.
5. Remove the lock plug and the lock plug shroud.
6. Remove the screws holding the handle to the door.

General Notes:

1. Disassembly time: 10 - 20 minutes
2. This procedure assumes basic familiarity with hand tools and furniture terminology; no specialized training is required.
3. All materials removed and disassembled shall be sorted and segregated with like materials and disposed of or recycled according to recycling availability or waste acceptance

-  4. For product recycle content, contact CALPIA or visit our website at www.calpia.ca.gov

 All fasteners not explicitly tagged are Material Type A: Steel

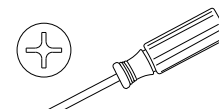
Required Tools



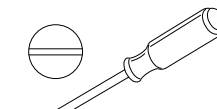
Gloves



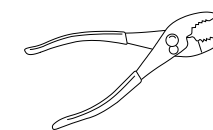
Safety Glasses



Philips Screwdriver



Flat Screwdriver



Pliers